

# **U.S. SAWS**

*Surface Preparation*

## **Ultra Vac**



# **Operating Manual**

Toll Free 1-877-817-6687

3702 West Central Avenue  
Santa Ana, CA 92704

11 High Street  
Suffield, CT 06078  
[www.USSAWS.com](http://www.USSAWS.com)

8004B East Broadway Avenue  
Tampa, FL 33619

# U.S. SAWS

## Introduction

This manual outlines the maintenance and operation of the Ultra Vac.

This is a professional tool and is intended for use by trained and experienced operators.

To get maximum benefit from your tool and to ensure maximum safety, be sure to read this manual thoroughly. You should also periodically review safety instructions.

## Specifications

<b>Model Number</b>	950	1250	1550
<b>Part Number</b>	SX50105	SX50005	SX50015
<b>CFM</b>	180	220	278
<b>Water Lift</b>	90"	110"	132"
<b>Capacity (Gallons)</b>	9.5	12.5	15.5
<b>Power</b>	120V	120V	120V
<b>Weight</b>	60 lbs	80 lbs	110 lbs

## Table of Contents

<b>Symbols &amp; Labels</b>	<b>3</b>
<b>Safety</b>	<b>4</b>
<b>Operation</b>	<b>6</b>
<b>Parts</b>	<b>7</b>

# Symbols & Labels

THE FOLLOWING SYMBOLS AND DEFINITIONS ARE FOUND THROUGHOUT THIS MANUAL AND ARE DESIGNED TO MAKE YOU AWARE OF POTENTIAL HAZARDS OR UNSAFE PRACTICES.



A potentially hazardous situation exists which, if not avoided, could result in death or serious injury.



A potentially hazardous situation exists which, if not avoided, may result in minor or moderate injury or property damage.

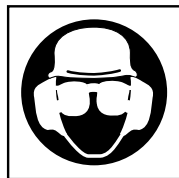


A potentially hazardous situation exists which, if not avoided, may result in product or property damage.

THE FOLLOWING SYMBOLS & LABELS MAY BE FOUND IN THIS MANUAL OR ON THE TOOL.



Read the operator's manual carefully and understand the contents before you use this equipment.



**Always use:**  
Protective helmet  
Ear protection  
Protective glasses



Wear hand protection



A dust mask should be worn at all times

# Safety

Operators and maintenance personnel must always comply with the following safety precautions. These precautions are given here for your safety. Review them carefully before operating the tool and before performing general maintenance repairs on the tool.

Supervising personnel should develop additional precautions relating to the specific work area and local safety regulations.

## **WARNING**

US SAWS vacuums are not to be used for the removal of liquids or an volatile, viscous, flammable, or explosive media. If you are unsure about your application requirements call your local US SAWS representative.

## **CAUTION**

Disconnect the machine from power before and during inspection and/or maintenance.



## **IMPORTANT**

This vacuum is designed for intermittent use, i.e. not more than 2 hours continuously. If you are not sure about your application requirements, contact your USSAWS representative.

# Safety

## General Safety Precautions

- Do not operate machine unless you have read the operations and maintenance manual carefully. Learn the applications and limitations as well as the specific potential hazards related to this tool.
- Do not operate this machine unless you have received operational and maintenance training from a US SAWS representative or from an authorized distributor for US SAWS.
- Observe all applicable local, state, and federal safety regulations. Wear OSHA approved foot protection.
- Observe all applicable local, state, and federal safety regulations. Wear OSHA approved safety glasses.
- Breathable silica may be generated by use of this product. Silica can cause severe and permanent lung damage, cancer, and other serious diseases. Do not breathe the dust. Do not rely on your sign or smell to determine if the dust is in the air. Silica may be in the air without a visible dust cloud. If air monitoring equipment for silica is not provided by your employer at your work site, you **MUST** wear appropriate respiratory protection when using or servicing the machine. Consult your employer and OSHA regarding the appropriate respiratory system.
- Observe all applicable local, state, and federal safety regulations. Wear OSHA approved hearing protection.
- Do not wear loose clothing or jewelry that can be caught in moving parts. Wear protective hair covering to contain long hair. Keep hair away from vacuum port. Rubber gloves and non-skid footwear are recommended when working outdoors.
- Do not expose machine to rain. Do not use machine in wet conditions. Keep work area well lit. When working at an elevated location, pay attention to articles and persons below.
- Do not operate machine while under the influence of drugs, alcohol or any medication.
- Do not operate machine with parts missing or improperly mounted.
- Check for alignment of moving parts, binding of moving parts, breakage of parts, mounting, and any other conditions that may affect machine operation. A guard, power switch, or other part that is damaged should be properly repaired or replaced by an authorized service center unless indicated elsewhere in this instruction manual. Do not operate machine if dead man lever or engine on/off switch does not function properly.
- Stop using the machine immediately if any abnormalities are observed during operation. Examples of abnormalities include unusual noise or vibration.
- When replacing a component part with a new one, use only the same type and quality of new part. Never attempt to repair a machine if you are unfamiliar with proper procedures and techniques required.
- Do not modify machine from its original design without written permission from the manufacturer. Non-authorized modifications could lead to serious injury or death and void warranty.
- Refer to this operations and maintenance manual. Never permit anyone to operate the machine without proper instruction.

# Operation

## To Use

- Plug into power
- Attach vacuum hose to hose port
- Attach vacuum hose to shroud on grinder
- Turn on switch (or switches on 1250 and 1550)

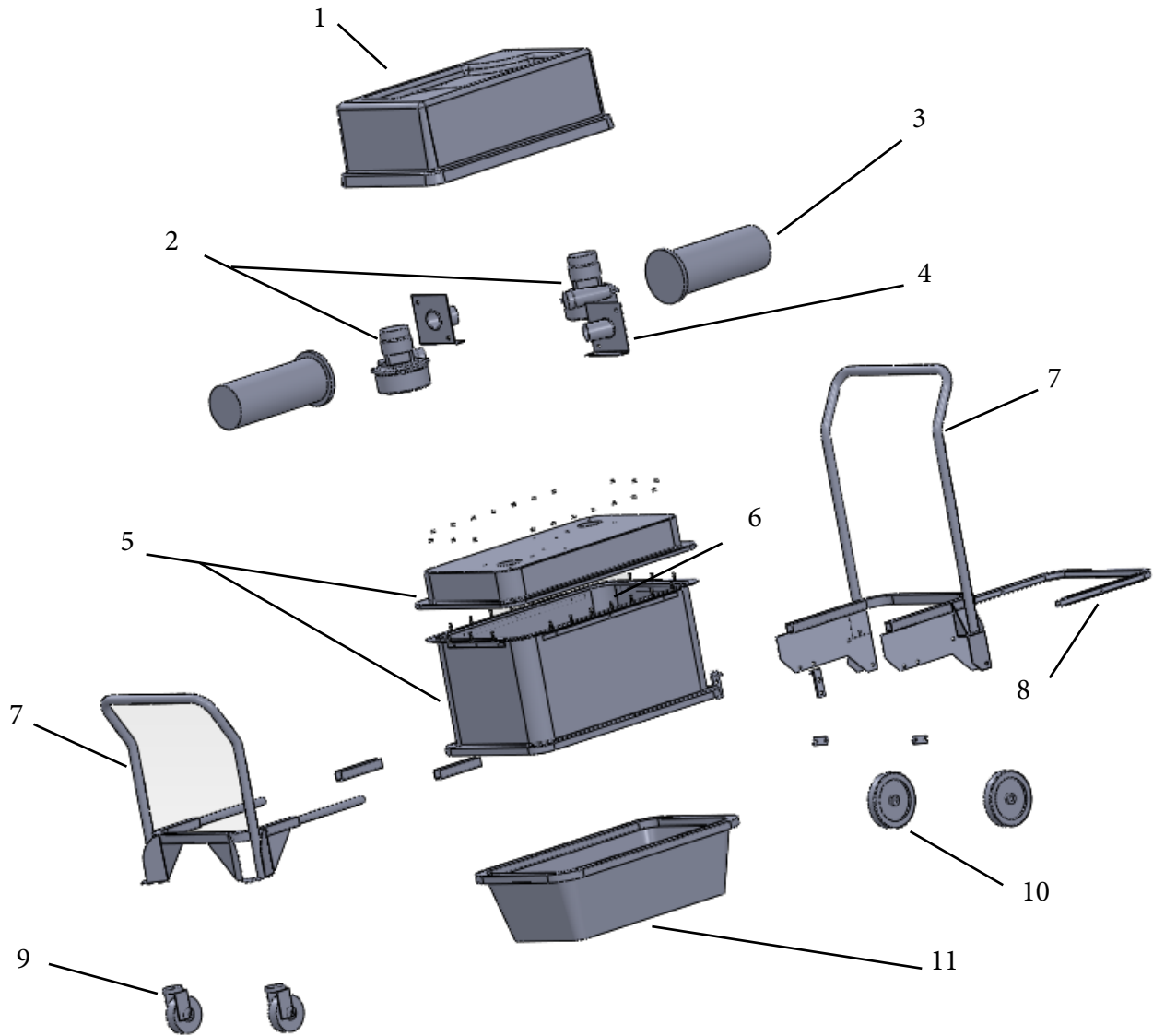
## To Clean Filter

- Unplug from power
- Operate shaker frame knob to clear filter of debris

## To Empty Dust Pan

- Unplug from Power
- Lift up on Dust Pan Adjustment Handle with your foot to release the dust pan
- Empty dust into appropriate receptacle
- Return dust pan to underneath the vacuum
- Step on Dust Pan Adjustment Handle to lift the dust pan back into position

# Parts



Number	Part Number	Description
1	US24600-1	Motor Cover
2	SX50101	Motor 120V (Qty 1 for 950) (Qty 2 for 1250 and 1550)
3	PE70070	HEPA Filter (Qty 1 for 950) Qty 2 for 1250) ((OPTIONAL))
4	US24600-14	Filter Bracket
5	US24600-15	Motor Mount and Filter Housing
6	US24600-12	Filter
7	US24600-2R	Frame
8	US24600-9	Lifting Handle
9	US240600-23	Front Caster (Qty 2)
10	US24600-24	Rear Wheel (Qty 2)
11	US24600-6	Vacuum Pan